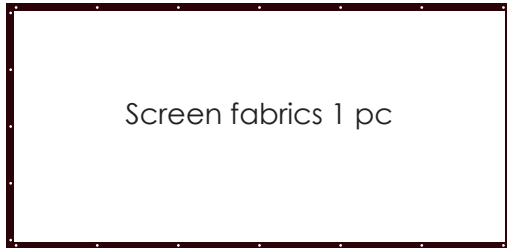


QUICK FLEX SCREEN

OPERATION GUIDE/BRUKSANVISNING/GEBRAUCHSANWEISUNG/GEBRUIKSAANWIJZING/KÄYTTÖOHJEET

MOUNTING BATCH / MONTERINGSSATS



- ⌋ Strap, 26 pcs (2 pcs as spare part)
- └ Adjustable foot for middle leg, 1 pc
- ▬ Spacers, 6 pcs

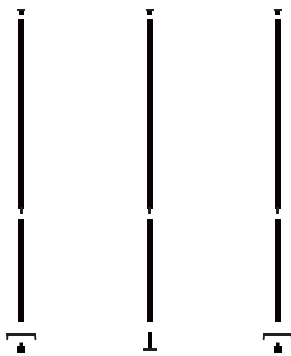
- ▬ Horizontal tubes 2 sets x 2 pcs
- ▬ Vertical tubes 3 sets x 2 pcs
- └ Foot for vertical tubes 2 pcs
- Screws for foot, 2 pcs
- Screws for middle leg and horizontal tubes, 6 pcs
- ⌀ Nut for middle leg, 2 pcs
- End cap for vertical tubes, 3 pcs

1:5 ASSEMBLE THE HORIZONTAL TUBES



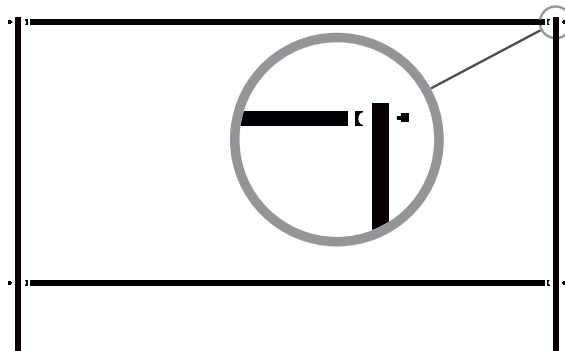
Screw together the two tube parts for the horizontal tubes (2 x 2 pcs)

2:5 ASSEMBLE THE VERTICAL TUBES



Screw together the two tube parts for the vertical tubes (3 x 2 pcs)
Attach the foot to two of the vertical tubes.
Attach the adjustable foot to the middle of the vertical tubes.
Attach the end cap on top of each vertical tube.

3:5 ASSEMBLE THE FRAME



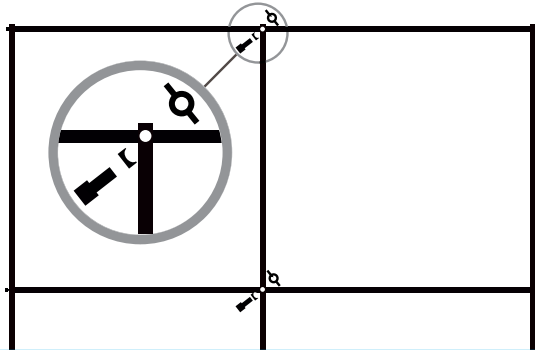
Attach the spacers in between the horizontal and the vertical tubes, in total four spacers.
Attach the four screws, thru the vertical tubes into the horizontal tubes, on each side,

FOR SERVICE/HUOLTO:

SWEDEN www.kingpinscreens.com NORWAY www.avpartner.no

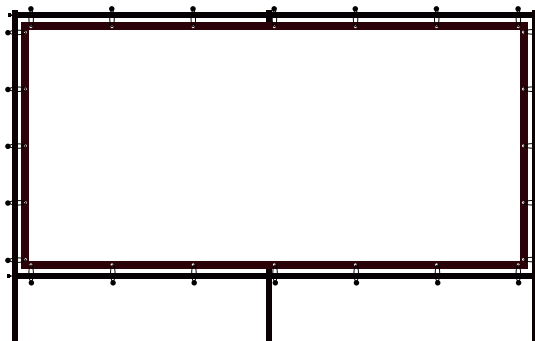
WWW.KINGPINSCREENS.COM

4:5 MOUNT THE SUPPORTING LEG



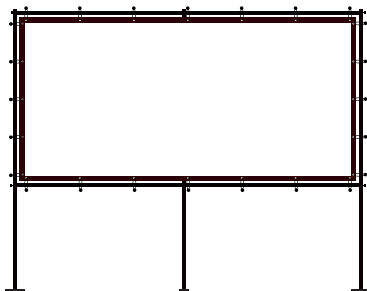
Place a spacer between the horizontal and the vertical tube.
Attach the screw for the supporting leg, thru the holes in the vertical and horizontal tubes. Set the screw from the front side and set the wing nut on the back side, tighten as hard as you can by hand.

5:5 MOUNT THE SCREEN FABRICS



Attach the fabrics to the frame, the white side with the black frame to the front. Mount the Straps thru the holes/eyelets and back over tubes and the ball to create tension. Start with the corners and then the vertical and horizontal holes.

FINAL PRODUCT



This is the way the finished product should look!

CARE / CLEANING INSTRUCTIONS

Step 1. The easiest way to remove dust from the calibration screen is to use compressed air. Many times, this is all you need for an effective cleaning of the screen, but do not be too close or have too focused air stream, this might damage the surface. If this does not help, go to step 2.

Step 2. Make a mixture of warm water (95%) and dish soap (5%). Use a moistened microfiber cloth, apply light pressure and rub the screen from side to side. NEVER SCRUB. This step must NOT be used on the black borders!

Step 3. Denatured alcohol may be used with the microfiber cloth if your soap and water mixture does not work. Once this is finished, gently pat the surface dry with another microfiber towel. This step must NOT be used on the black borders!

FOR SERVICE/HUOLTO:

SWEDEN www.kingpinscreens.com NORWAY www.avpartner.no